

BUSTER+PUNCH

LONDON

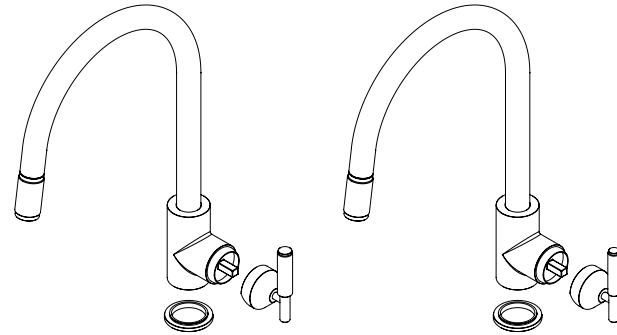
KITCHEN TAP / MIXER WITH PULL SPRAY

PREPARATION AND INSTALLATION

INSTRUCTION MANUAL

MINIMUM RECOMMENDED WATER PRESSURE:
7.25PSI (0.5 BAR)
MAXIMUM RECOMMENDED WATER PRESSURE:
72PSI (5 BAR)
RECOMMENDED HOT WATER TEMPERATURE:
70°C (158°F)
RECOMMENDED TEMPERATURE RANGE:
5 - 60°C (41 - 140°F)

NOTE: EXCEEDING THESE TEMPERATURES OR WATER PRESSURES CAN RESULT IN DAMAGE TO THE TAP. A PRESSURE REDUCING VALVE MAY BE REQUIRED TO BE FITTED IN HIGH WATER PRESSURE SITUATIONS.



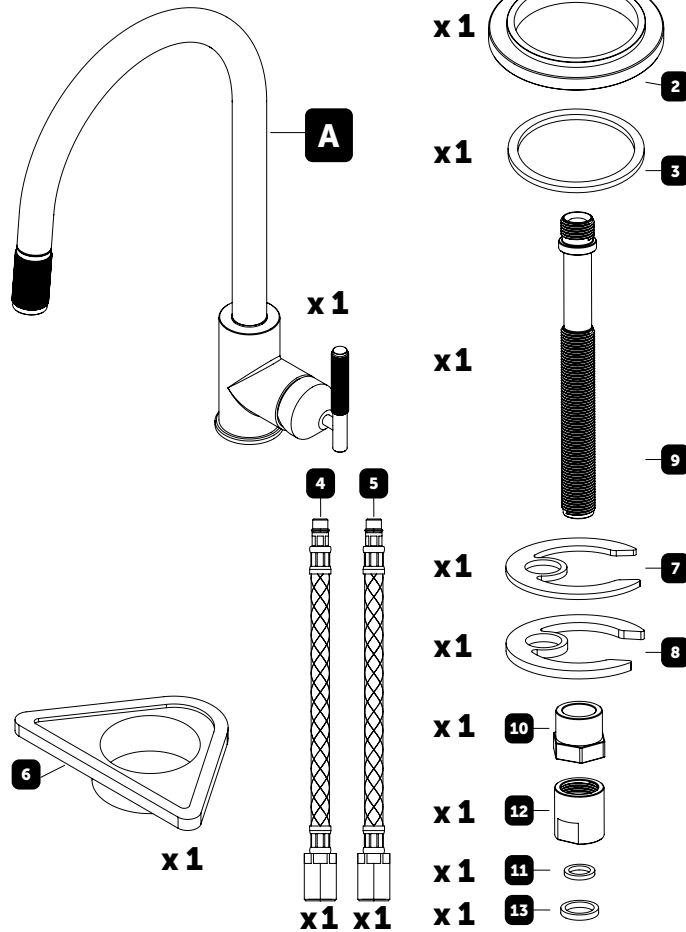
DISCLAIMER: THIS PRODUCT IS NOT SUITABLE FOR COMMERCIAL USE.

BUSTERANDPUNCH.COM
L0211

NOTE: INSTALLATION INSTRUCTION MANUAL APPLICABLE FOR UK SINGLE MIXER TAPS SUPPLIED BY BUSTER + PUNCH. PRODUCT VARIATIONS COVERED BY THIS INSTRUCTION MANUAL ARE LISTED BELOW:

KITCHEN TAP (WARM/COLD) / CROSS / SINGLE MIXER
KITCHEN TAP (WARM/COLD) / LINEAR / SINGLE MIXER

TAP BOX CONTENT



PREPARATION

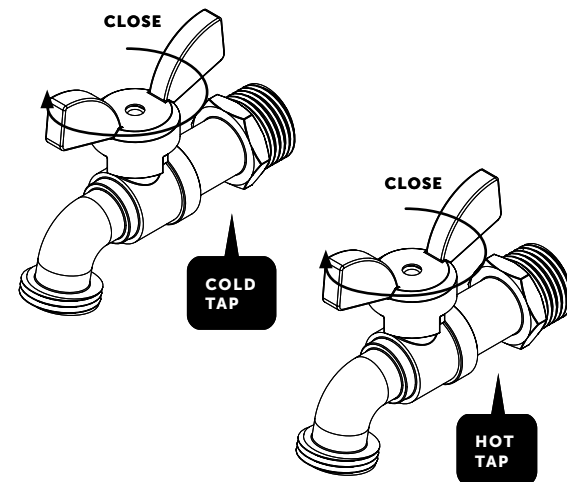
BEFORE INSTALLING THE NEW MIXER IT IS ESSENTIAL THAT YOU THOROUGHLY FLUSH THROUGH THE SUPPLY PIPES IN ORDER TO REMOVE ANY REMAINING SWarf, SOLDER OR OTHER IMPURITIES.

FAILURE TO CARRY OUT THIS SIMPLE PROCEDURE COULD CAUSE PROBLEMS OR DAMAGE TO THE WORKINGS OF THE MIXER.
HAVING FIRST CHECKED ALL NEW CONNECTIONS, TURN ON THE MAINS STOP-COCK, CLOSE ALL TAPS EXCEPT THE NEW MIXER AND AS THE SYSTEM STARTS TO REFILL CHECK FOR LEAKS.

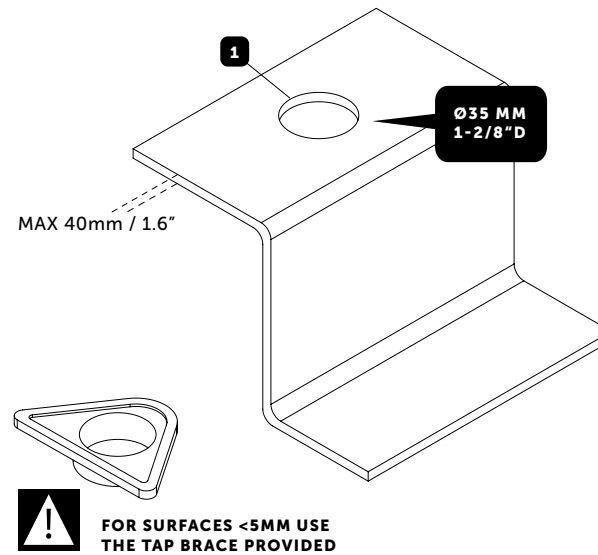
ONCE YOU HAVE SATISFIED YOURSELF THAT THERE ARE NO LEAKS, SWITCH ON THE WATER HEATING.

FIRST SHUT OFF YOUR WATER HEATING SYSTEM THEN, WITH YOUR MAINS STOPCOCK CLOSED, OPEN THE LOWEST HOT AND COLD TAPS IN THE HOUSE AND ALLOW TO RUN UNTIL THE COLD STORAGE TANK AND PIPES ARE EMPTY (THE HOT WATER STORAGE CYLINDER ALWAYS REMAINS FULL).

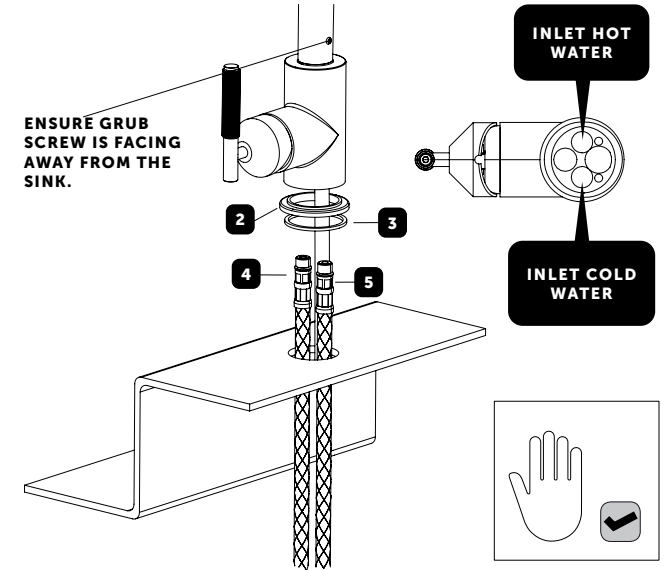
DISCLAIMER: PLEASE CONTACT YOUR LOCAL PLUMBER WHEN INSTALLING.



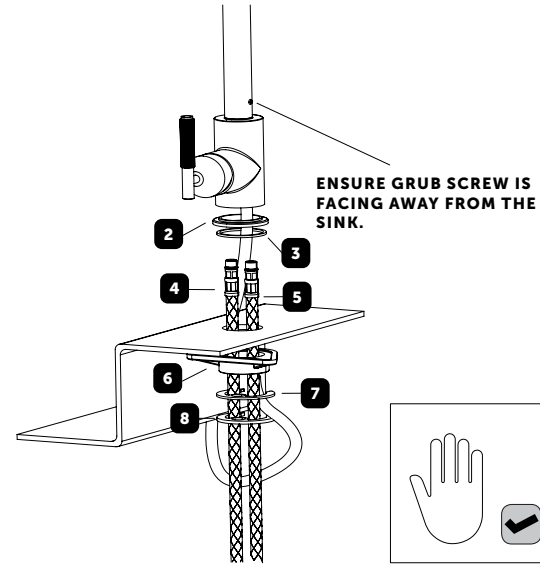
1



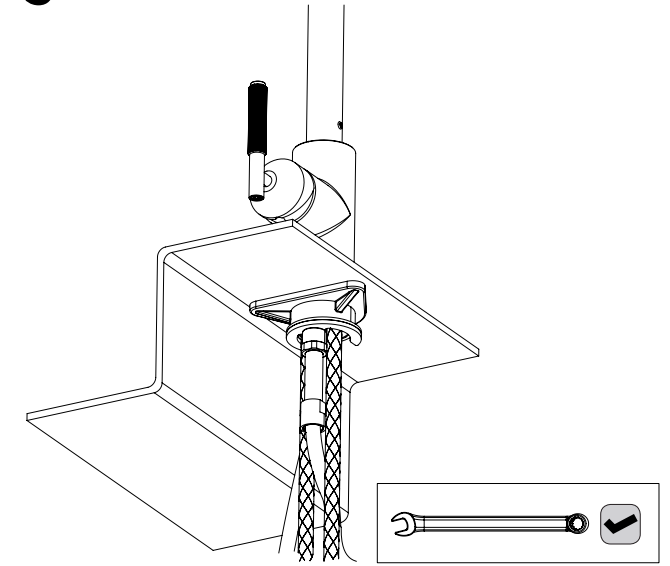
2 a



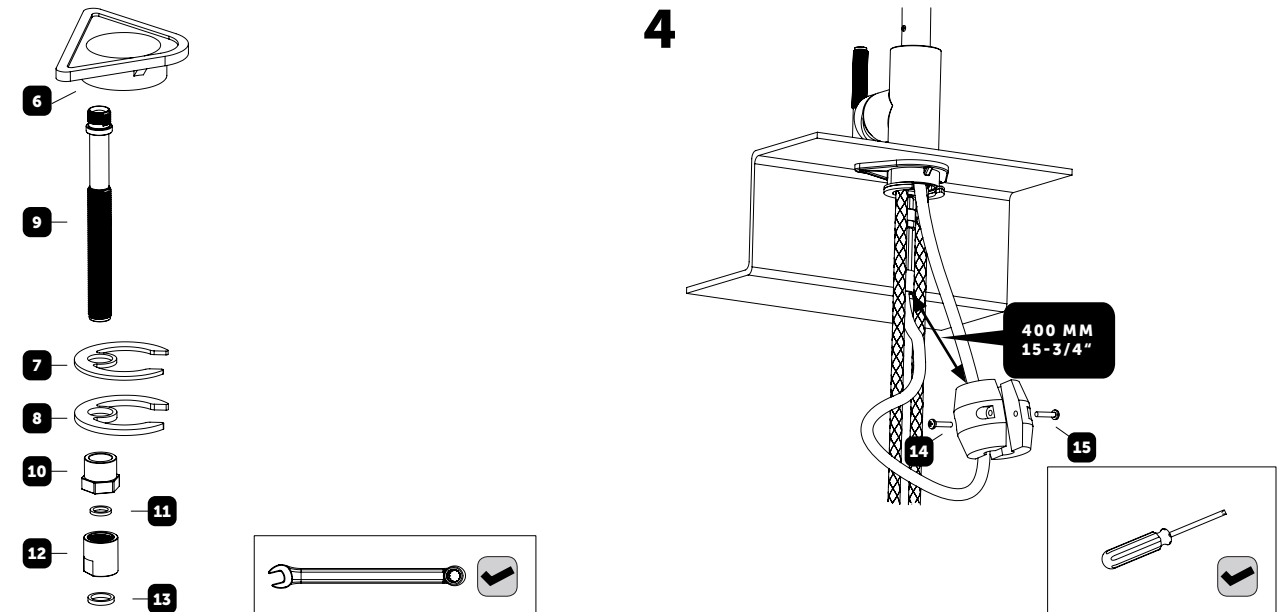
2 b FOR SURFACES <5MM DEPTH



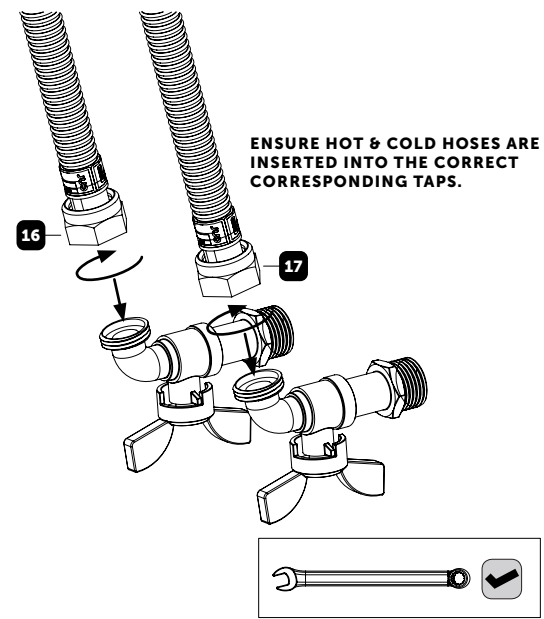
3



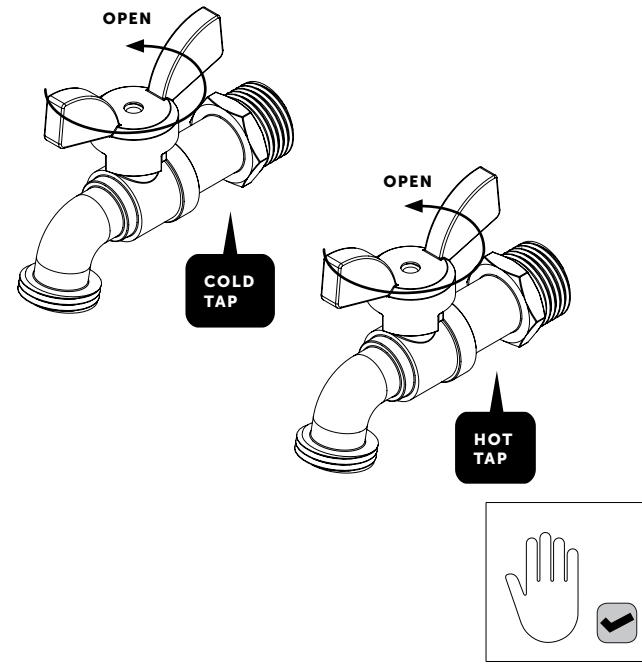
4



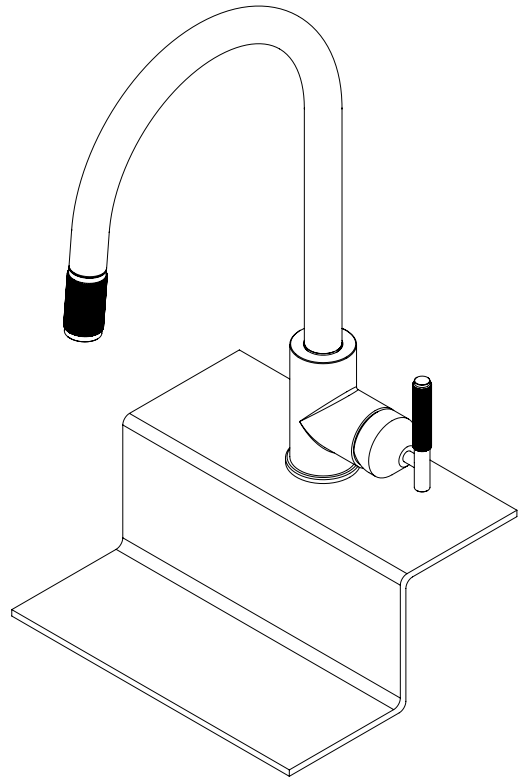
5



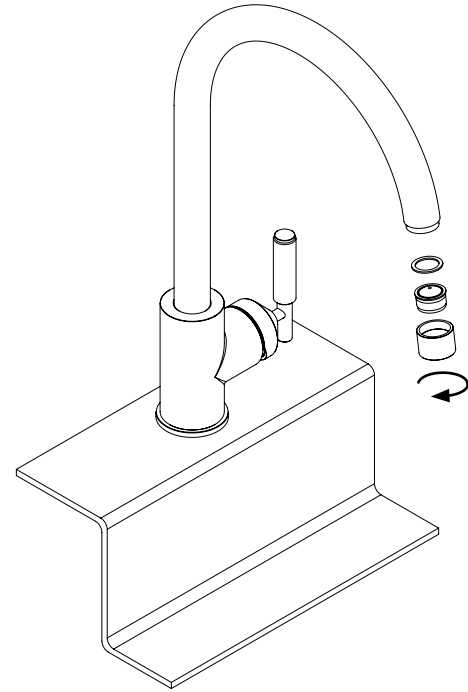
6



7



AERATOR MAINTENANCE



RECOMMENDED TO BE CLEANED AT LEAST ONCE A MONTH

NOTE: IF THERE IS A BUILDUP OF LIMESCALE IT MAY BE WORTH REPLACING

