

BUSTER+PUNCH

LONDON

[product.

PULL BAR / CAST / SMALL

[process. **ROUGH-CAST.**]

[range. **BATHROOM.**]

[born. **LONDON.**]

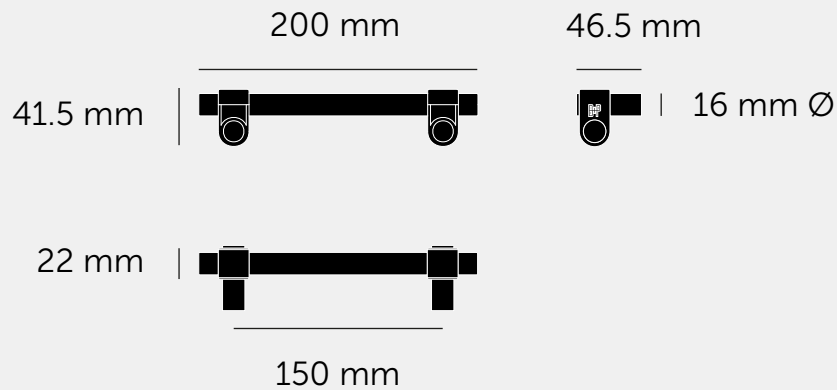
A pull bar with rough-cast knuckles and hand polished solid metal bar. Combines with our cabinet hardware for a seamless look throughout your interior.

Available in steel, brass, gun metal and welders black.



[type. **PULL BAR / 200MM.**]

[info. **MEASUREMENTS.**]



[info. **SPECIFICATIONS.**]

A pull bar made from solid metal. It features a cast solid metal knuckle and hand polished solid metal bar, finished with B+P spun metal screws and refined by hand.

Available in steel, brass, gun metal and welders black, with durable finishes that make it suitable for bathroom use.

Fits doors of max 20 mm or 0.78".

For thicker doors you will need to source longer M5 screws.

[info. **INCLUDED.**]

1 x Small pull bar

2 x Pan Head M5 x 30 mm screws

2 x M5 washers

[info. **FINISH & SKU NUMBERS.**]

[finish.]

[sku.]

 Steel	UPB-072109
 Brass	UPB-052110
 Gun Metal	UPB-352111
 Welders Black	UPB-592112

[info. **CARE INSTRUCTIONS.**]

Clean regularly with a soft, dry cloth or duster. Wash periodically using a soft cloth and mild soapy water then dry immediately with a clean, soft cloth. Rubbing or wiping should be carried out in the direction of the polish lines, not across them. DO NOT use oily rags or greasy cloths when wiping the product surface. All finishes prone to ageing.

[please. **NOTE.**]

DISCLAIMER: Always consult a trade professional when installing this pull bar. Buster + Punch is not responsible for the usage or feasibility of installation requirements.

BUSTER+PUNCH

LONDON

[product.]

PULL BAR / CAST / MEDIUM

[process. **ROUGH-CAST.**]

[range. **CAST BATHROOM.**]

[born. **LONDON.**]

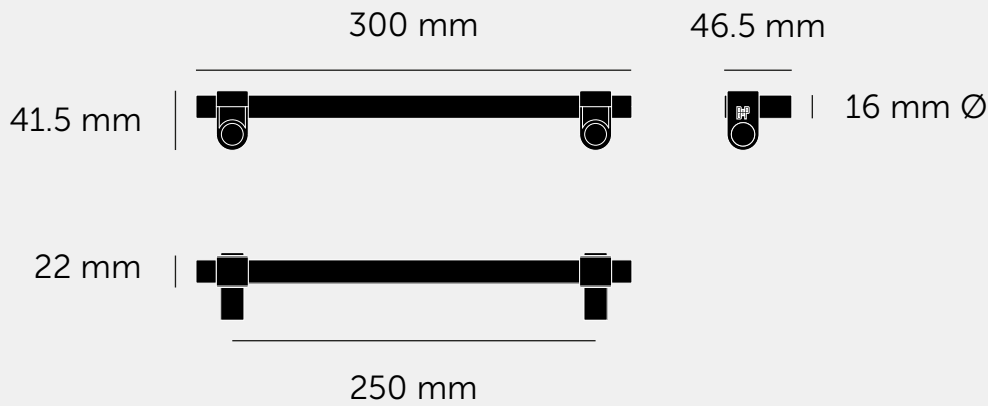
A pull bar with rough-cast knuckles and hand polished solid metal bar. Combines with our cabinet hardware for a seamless look throughout your interior.

Available in steel, brass, gun metal and welders black.



[type. **PULL BAR / 300MM.**]

[info. **MEASUREMENTS.**]



[info. **SPECIFICATIONS.**]

A pull bar made from solid metal. It features a cast solid metal knuckle and hand polished solid metal bar, finished with B+P spun metal screws and refined by hand.

Available in steel, brass, gun metal and welders black, with durable finishes that make it suitable for bathroom use.

Fits doors of max 20 mm or 0.78".

For thicker doors you will need to source longer M5 screws.

[info. **FINISH & SKU NUMBERS.**]

[finish.]

[sku.]

 Steel	UPB-072113
 Brass	UPB-052114
 Gun Metal	UPB-352115
 Welders Black	UPB-592116

[info. **CARE INSTRUCTIONS.**]

Clean regularly with a soft, dry cloth or duster. Wash periodically using a soft cloth and mild soapy water then dry immediately with a clean, soft cloth. Rubbing or wiping should be carried out in the direction of the polish lines, not across them. DO NOT use oily rags or greasy cloths when wiping the product surface. All finishes prone to ageing.

[info. **INCLUDED.**]

1 x Medium pull bar

2 x Pan Head M5 x 30 mm screws

2 x M5 washers

[please. **NOTE.**]

DISCLAIMER: Always consult a trade professional when installing this pull bar. Buster + Punch is not responsible for the usage or feasibility of installation requirements.

BUSTER+PUNCH

LONDON

[product.

PULL BAR / CAST / LARGE

[process. **ROUGH-CAST.**]

[range. **CAST BATHROOM..**]

[born. **LONDON.**]

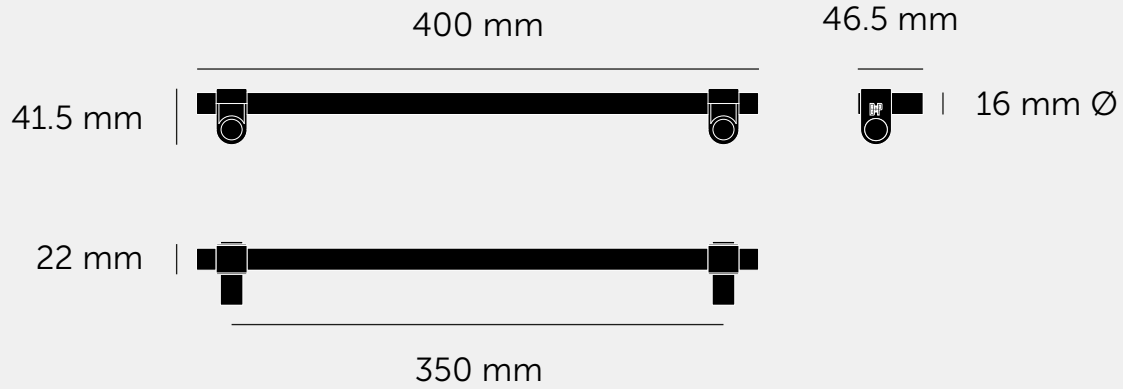
A pull bar with rough-cast knuckles and hand polished solid metal bar. Combines with our cabinet hardware for a seamless look throughout your interior.

Available in steel, brass, gun metal and welders black.



[type. **PULL BAR / 400MM.**]

[info. **MEASUREMENTS.**]



[info. **SPECIFICATIONS.**]

A pull bar made from solid metal. It features a cast solid metal knuckle and hand polished solid metal bar, finished with B+P spun metal screws and refined by hand.

Available in steel, brass, gun metal and welders black, with durable finishes that make it suitable for bathroom use.

Fits doors of max 20 mm or 0.78".

For thicker doors you will need to source longer M5 screws.

[info. **INCLUDED.**]

1 x Large pull bar



2 x Pan Head M5 x 30 mm screws

2 x M5 washers

[info. **FINISH & SKU NUMBERS.**]

[finish.]

[sku.]

 Steel	UPB-072117
 Brass	UPB-052118
 Gun Metal	UPB-352119
 Welders Black	UPB-592120

[info. **CARE INSTRUCTIONS.**]

Clean regularly with a soft, dry cloth or duster. Wash periodically using a soft cloth and mild soapy water then dry immediately with a clean, soft cloth. Rubbing or wiping should be carried out in the direction of the polish lines, not across them. DO NOT use oily rags or greasy cloths when wiping the product surface. All finishes prone to ageing.

[please. **NOTE.**]

DISCLAIMER: Always consult a trade professional when installing this pull bar. Buster + Punch is not responsible for the usage or feasibility of installation requirements.

BUSTER+PUNCH

LONDON

[product.

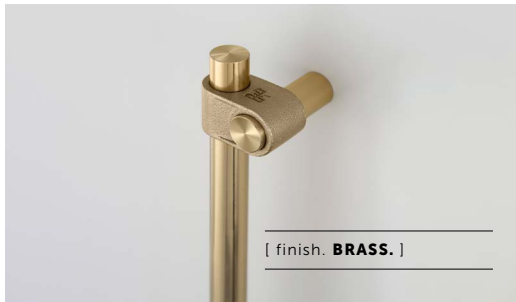
CLOSET BAR / CAST

[process. **ROUGH-CAST.**]

[range. **CAST BATHROOM.**]

[born. **LONDON.**]

A closet bar with rough-cast knuckles and hand polished solid metal bar. It works great on internal doors, kitchen units and shower doors, combining with our matching hardware for a seamless look throughout your interior. Available in steel, brass, gun metal and welders black.



[type. **CLOSET BAR.**]

[info. **MEASUREMENTS.**]



[info. **SPECIFICATIONS.**]

A closet bar made from solid metal. It features a cast solid metal knuckle and hand polished solid metal bar, finished with B+P spun metal screws and refined by hand.

Available in steel, brass, gun metal and welders black, with durable finishes that make it suitable for bathroom use.

Fits doors of max 20 mm or 0.78".

For thicker doors you will need to source longer M5 screws.

[info. **INCLUDED.**]

1 x Closet bar

2 x Pan Heads M5 x 30 mm screws

2 x M5 washers

[info. **FINISH & SKU NUMBERS.**]

[finish.]

[sku.]

 Steel	UCB-072121
 Brass	UCB-052122
 Gun Metal	UCB-352123
 Welders Black	UCB-592124

[info. **CARE INSTRUCTIONS.**]

Clean regularly with a soft, dry cloth or duster. Wash periodically using a soft cloth and mild soapy water then dry immediately with a clean, soft cloth. Rubbing or wiping should be carried out in the direction of the polish lines, not across them. DO NOT use oily rags or greasy cloths when wiping the product surface. All finishes prone to ageing.

[please. **NOTE.**]

DISCLAIMER: Always consult a trade professional when installing this closet bar. Buster + Punch is not responsible for the usage or feasibility of installation requirements.

BUSTER+PUNCH

LONDON

[product.]

CLOSET BAR / DOUBLE-SIDED / CAST

[process. **ROUGH-CAST.**]

[range. **CAST BATHROOM.**]

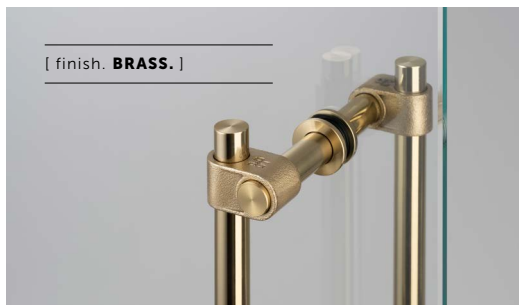
[born. **LONDON.**]

A double-sided closet bar with rough-cast knuckles and hand polished solid metal bar. It works great on internal doors, kitchen units and shower doors, combining with our matching hardware for a seamless look throughout your interior. Available in steel, brass, gun metal and welders black.

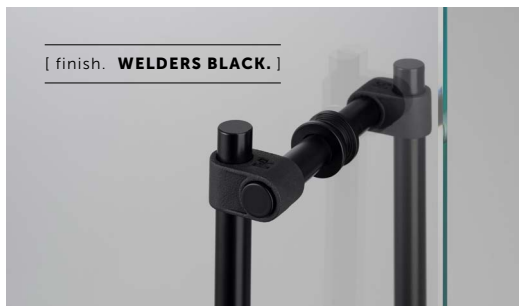
[finish. **STEEL.**]



[finish. **BRASS.**]



[finish. **WELDERS BLACK.**]

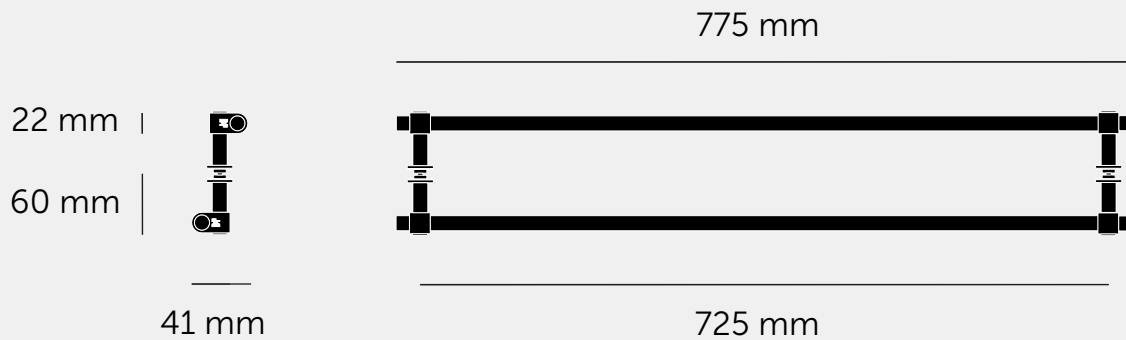


[finish. **GUN METAL.**]



[type. **DOUBLE-SIDED CLOSET BAR.**]

[info. **MEASUREMENTS.**]



[info. **SPECIFICATIONS.**]

A double-sided closet bar made from solid metal. It features a cast solid metal knuckle and hand polished solid metal bar, finished with B+P spun metal screws and refined by hand.

Available in steel, brass, gun metal and welders black, with durable finishes that make it suitable for bathroom use.

Fits doors of min 6 mm or 0.3" - max 60 mm or 2.3".

Please select the appropriate length bolt.

[info. **INCLUDED.**]

1 x Double sided closet bars

2 x 6 mm-35 mm double sided bolt

2 x 35 mm-60 mm double sided bolt





4 x Silicone washers

4 x Cosmetic discs

[info. **FINISH & SKU NUMBERS.**]

[finish.]

[sku.]

 Steel	UCB-072137
 Brass	UCB-052138
 Gun Metal	UCB-352139
 Welders Black	UCB-592140

[info. **CARE INSTRUCTIONS.**]

Clean regularly with a soft, dry cloth or duster. Wash periodically using a soft cloth and mild soapy water then dry immediately with a clean, soft cloth. Rubbing or wiping should be carried out in the direction of the polish lines, not across them. DO NOT use oily rags or greasy cloths when wiping the product surface. All finishes prone to ageing.

[please. **NOTE.**]

DISCLAIMER: Always consult a trade professional when installing this double-sided closet bar. Buster + Punch is not responsible for the usage or feasibility of installation requirements.

BUSTER+PUNCH

LONDON

[product.]

PULL BAR / DOUBLE-SIDED / CAST / SMALL

[look. **CAST.**]

[process. **ROUGH-CAST.**]

[range. **BATHROOM.**]

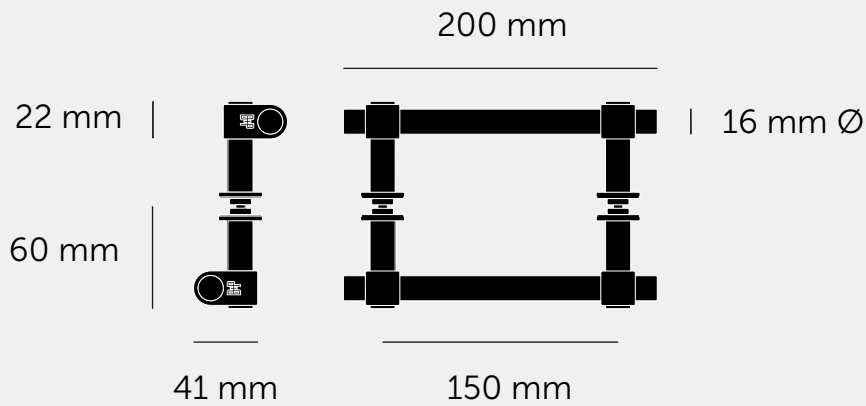
[born. **LONDON.**]

A double-sided pull bar with rough-cast knuckles and hand polished solid metal bar. Works great on internal doors.
Available in steel, brass, gun metal and welders black.



[type. **PULL BAR / DOUBLE-SIDED / SMALL.**]

[info. **MEASUREMENTS.**]



[info. **SPECIFICATIONS.**]

A double-sided pull bar made from solid metal. It features a cast solid metal knuckle and hand polished solid metal bar, finished with B+P spun metal screws and refined by hand.

Available in steel, brass, gun metal and welders black, with durable finishes that make it suitable for bathroom use.

Fits doors of min 6 mm or 0.3" - max 60 mm or 2.3".

Please select the appropriate length bolt.

[info. **INCLUDED.**]

1 x Small double sided pull bar

2 x 6 mm-35 mm double sided bolt

2 x 35-60 mm double sided bolt

4 x Silicone washers

4 x Cosmetic discs

[info. **FINISH & SKU NUMBERS.**]

[finish.]

[sku.]

 Steel	UPB-072125
 Brass	UPB-052126
 Gun Metal	UPB-352127
 Welders Black	UPB-592128

[info. **CARE INSTRUCTIONS.**]

Clean regularly with a soft, dry cloth or duster. Wash periodically using a soft cloth and mild soapy water then dry immediately with a clean, soft cloth. Rubbing or wiping should be carried out in the direction of the polish lines, not across them. DO NOT use oily rags or greasy cloths when wiping the product surface. All finishes prone to ageing.

[please. **NOTE.**]

DISCLAIMER: Always consult a trade professional when installing this double-sided pull bar. Buster + Punch is not responsible for the usage or feasibility of installation requirements.

BUSTER+PUNCH

LONDON

[product.]

PULL BAR / DOUBLE-SIDED / CAST / MEDIUM

[process. **ROUGH-CAST.**]

[range. **CAST BATHROOM.**]

[born. **LONDON.**]

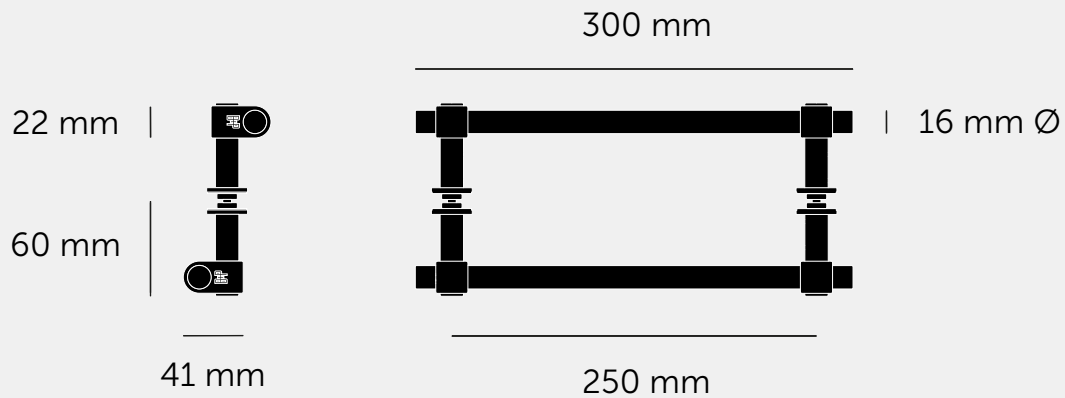
A double-sided pull bar with rough-cast knuckles and hand polished solid metal bar. Works great on internal doors.

Available in steel, brass, gun metal and welders black.



[type. **PULL BAR / DOUBLE-SIDED / MEDIUM.**]

[info. **MEASUREMENTS.**]



[info. **SPECIFICATIONS.**]

A double-sided pull bar made from solid metal. It features a cast solid metal knuckle and hand polished solid metal bar, finished with B+P spun metal screws and refined by hand.

Available in steel, brass, gun metal and welders black, with durable finishes that make it suitable for bathroom use.

Fits doors of min 6mm or 0.3" - max 60 mm or 2.3".

Please select the appropriate length bolt.

[info. **INCLUDED.**]

1 x Medium double sided pull bar

2 x 6 mm-35 mm double sided bolt

2 x 35-60 mm double sided bolt

4 x Silicone washers

4 x Cosmetic discs

[info. **FINISH & SKU NUMBERS.**]

[finish.]

[sku.]

Steel

UPB-072129

Brass

UPB-052130

Gun Metal

UPB-352131

Welders Black

UPB-592132

[info. **CARE INSTRUCTIONS.**]

Clean regularly with a soft, dry cloth or duster. Wash periodically using a soft cloth and mild soapy water then dry immediately with a clean, soft cloth. Rubbing or wiping should be carried out in the direction of the polish lines, not across them. DO NOT use oily rags or greasy cloths when wiping the product surface. All finishes prone to ageing.

[please. **NOTE.**]

DISCLAIMER: Always consult a trade professional when installing this double-sided pull bar. Buster + Punch is not responsible for the usage or feasibility of installation requirements.

BUSTER+PUNCH

LONDON

[product.]

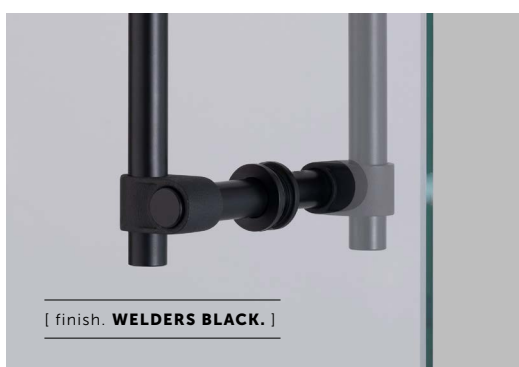
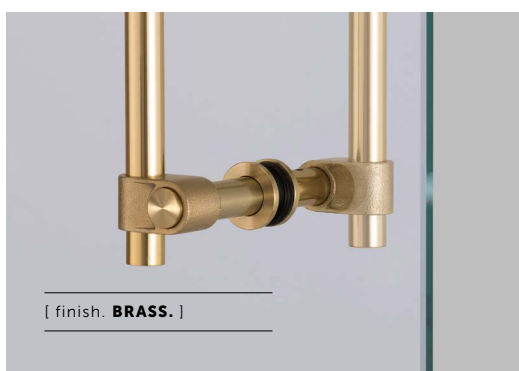
PULL BAR / DOUBLE-SIDED / CAST / LARGE

[process. **ROUGH CAST.**]

[range. **CAST BATHROOM.**]

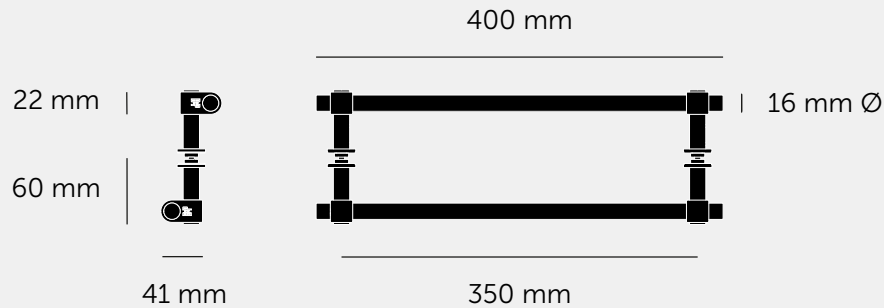
[born. **LONDON.**]

A double-sided pull bar with rough-cast knuckles and hand polished solid metal bar. Works great on internal doors. Available in steel, brass, gun metal and welders black.



[type. **PULL BAR / DOUBLE-SIDED / LARGE.**]

[info. **MEASUREMENTS.**]



[info. **SPECIFICATIONS.**]

A double-sided pull bar made from solid metal. It features a cast solid metal knuckle and hand polished solid metal bar, finished with B+P spun metal screws and refined by hand.

Available in steel, brass, gun metal and welders black, with durable finishes that make it suitable for bathroom use.

Fits doors of min 6 mm or 0.3" - max 60 mm or 2.3".

Please select the appropriate length bolt.

[info. **INCLUDED.**]

1 x Large double sided pull bar

2 x 6 mm-35 mm double sided bolt

2 x 35-60 mm double sided bolt

4 x Silicone washers

4 x Cosmetic discs

[info. **FINISH & SKU NUMBERS.**]

[finish.]

[sku.]

 Steel	UPB-072133
 Brass	UPB-052134
 Gun Metal	UPB-352135
 Welders Black	UPB-592136

[info. **CARE INSTRUCTIONS.**]

Clean regularly with a soft, dry cloth or duster. Wash periodically using a soft cloth and mild soapy water then dry immediately with a clean, soft cloth. Rubbing or wiping should be carried out in the direction of the polish lines, not across them. DO NOT use oily rags or greasy cloths when wiping the product surface. All finishes prone to ageing.

[please. **NOTE.**]

DISCLAIMER: Always consult a trade professional when installing this double-sided pull bar. Buster + Punch is not responsible for the usage or feasibility of installation requirements.