

BUSTER+PUNCH

LONDON

[product.

HOOK / CAST

[process. **ROUGH-CAST.**]

[range. **CAST BATHROOM.**]

[born. **LONDON.**]

A hook with rough-cast knuckle and hand polished solid metal bar. It can be installed onto walls or furniture items, to hang the things you love close to hand, anything from kitchen pans and light fittings to coats. Available in steel, brass, gun metal and welders black.



[finish. **STEEL.**]



[finish. **GUN METAL.**]



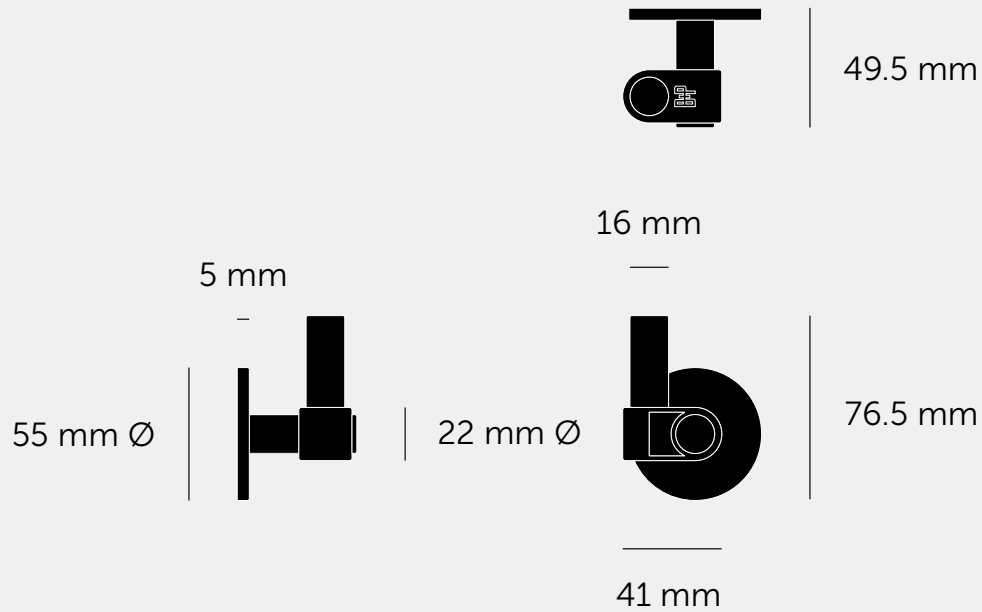
[finish. **WELDERS BLACK.**]



[finish. **BRASS.**]

[type. **HOOK.**]

[info. **MEASUREMENTS.**]







[info. **SPECIFICATIONS.**]

A hook made from solid metal. It features a cast solid metal knuckle, hand polished solid metal bar, and is refined by hand.

Available in steel, brass, gun metal and welders black, with durable finishes that make it suitable for bathroom use.

Please note, this hook is front mounted and fixing screws are not supplied. You will need to source fixings suitable for the wall you are installing the hook on.

[info. **FINISH & SKU NUMBERS.**]

[finish.]	[sku.]
 Steel	UHS-071264
 Brass	UHS-051265
 Gun Metal	UHS-351266
 Welders Black	UHS-481267

[info. **CARE INSTRUCTIONS.**]

Clean regularly with a soft, dry cloth or duster. Wash periodically using a soft cloth and mild soapy water then dry immediately with a clean, soft cloth. Rubbing or wiping should be carried out in the direction of the polish lines, not across them. DO NOT use oily rags or greasy cloths when wiping the product surface. All finishes prone to ageing.

[info. **INCLUDED.**]

1 x Hook

[info. **RECOMMENDED.**]

For Installation:

4 x M4 countersunk screws

M4 wall plugs

Hammer action drill with masonry bit (for masonry walls)

Impact driver with drill bit (for stud walls)

For heavier loads it is recommended that longer screws & wall plugs are used

[please. **NOTE.**]

DISCLAIMER: Always consult a trade professional when installing this hook. Buster + Punch is not responsible for the usage or feasibility of installation requirements.