

BUSTER+PUNCH

LONDON

[product.]

TOWEL RAIL / CAST / SMALL

[process. **ROUGH-CAST.**]

[range. **CAST BATHROOM.**]

[born. **LONDON.**]

A towel rail with a rough-cast knuckle and hand polished solid metal bar. Available in steel, brass, gun metal and welders black.



[finish. **STEEL.**]



[finish. **BRASS.**]



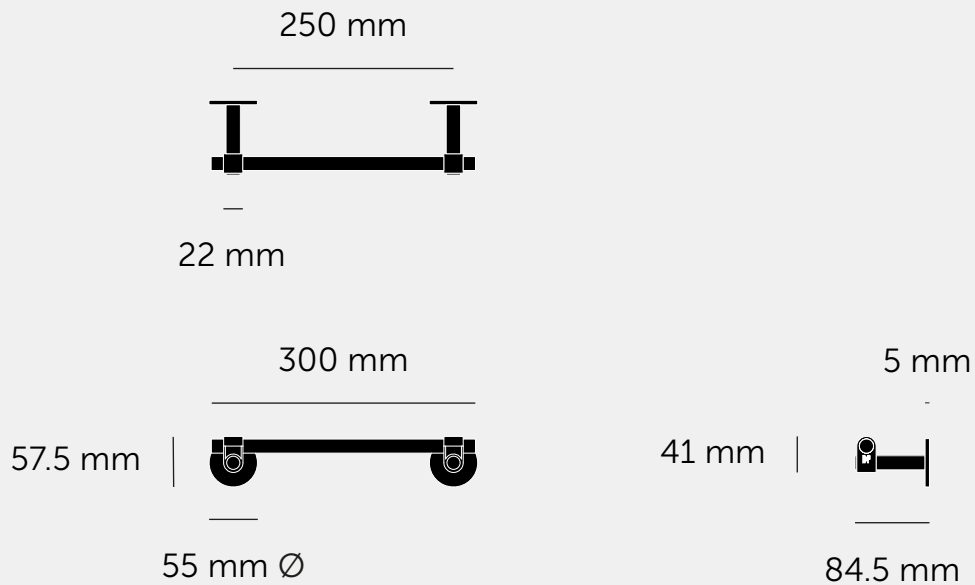
[finish. **WELDERS BLACK.**]



[finish. **GUN METAL.**]

[type. **TOWEL RAIL / SMALL.**]

[info. **MEASUREMENTS.**]



[info. **SPECIFICATIONS.**]

A towel rail made from solid metal and featuring a cast solid metal knuckle and hand polished solid metal bar.

Available in steel, brass, gun metal and welders black, with durable finishes that make it suitable for bathroom use.

Please note, this towel rail holder is front mounted and fixing screws are not supplied. You will need to source fixings suitable for the wall you are installing the towel rail holder on.

[info. **FINISH & SKU NUMBERS.**]

[finish.]	[sku.]
 Steel	UTR-072141
 Brass	UTR-052142
 Gun Metal	UTR-352143
 Welders Black	UTR-592144

[info. **CARE INSTRUCTIONS.**]

Clean regularly with a soft, dry cloth or duster. Wash periodically using a soft cloth and mild soapy water then dry immediately with a clean, soft cloth. Rubbing or wiping should be carried out in the direction of the polish lines, not across them. DO NOT use oily rags or greasy cloths when wiping the product surface. All finishes prone to ageing.

[info. **INCLUDED.**]

1 x Small towel rail

[info. **RECOMMENDED.**]

For Installation:

8 x M4 countersunk screws

M4 wall plugs

Hammer action drill with masonry bit (for masonry walls)

Impact driver with drill bit (for stud walls)

For heavier loads it is recommended that longer screws & wall plugs are used

[please. **NOTE.**]

DISCLAIMER: Always consult a trade professional when installing this towel rail. Buster + Punch is not responsible for the usage or feasibility of installation requirements.

BUSTER+PUNCH

LONDON

[product.]

TOWEL RAIL / CAST / MEDIUM

[process. **ROUGH-CAST.**]

[range. **CAST BATHROOM.**]

[born. **LONDON.**]

A towel rail with a rough-cast knuckle and hand polished solid metal bar. Available in steel, brass, gun metal and welders black.



[finish. **BRASS.**]



[finish. **GUN METAL.**]



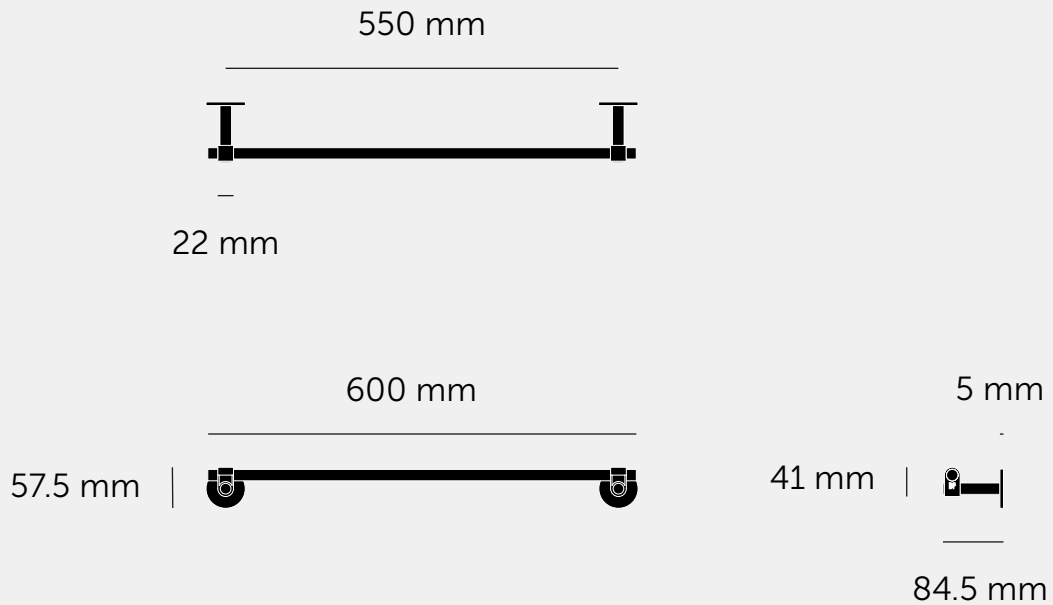
[finish. **WELDERS BLACK.**]



[finish. **STEEL.**]

[type. **TOWEL RAIL / MEDIUM.**]

[info. **MEASUREMENTS.**]







[info. **SPECIFICATIONS.**]

A towel rail made from solid metal and featuring a cast solid metal knuckle and hand polished solid metal bar.

Available in steel, brass, gun metal and welders black, with durable finishes that make it suitable for bathroom use.

Please note, this towel rail holder is front mounted and fixing screws are not supplied. You will need to source fixings suitable for the wall you are installing the towel rail holder on.

[info. **FINISH & SKU NUMBERS.**]

[finish.]	[sku.]
 Steel	UTR-072145
 Brass	UTR-052146
 Gun Metal	UTR-352147
 Welders Black	UTR-592148

[info. **CARE INSTRUCTIONS.**]

Clean regularly with a soft, dry cloth or duster. Wash periodically using a soft cloth and mild soapy water then dry immediately with a clean, soft cloth. Rubbing or wiping should be carried out in the direction of the polish lines, not across them. DO NOT use oily rags or greasy cloths when wiping the product surface. All finishes prone to ageing.

[info. **INCLUDED.**]

1 x Medium towel rail

[info. **RECOMMENDED.**]

For Installation:

8 x M4 countersunk screws

M4 wall plugs

Hammer action drill with masonry bit (for masonry walls)

Impact driver with drill bit (for stud walls)

For heavier loads it is recommended that longer screws & wall plugs are used

[please. **NOTE.**]

DISCLAIMER: Always consult a trade professional when installing this towel rail. Buster + Punch is not responsible for the usage or feasibility of installation requirements.

BUSTER+PUNCH

LONDON

[product.]

TOWEL RAIL / CAST / LARGE

[process. **ROUGH-CAST.**]

[range. **CAST BATHROOM.**]

[born. **LONDON.**]

A towel rail with a rough-cast knuckle and hand polished solid metal bar. Available in steel, brass, gun metal and welders black.



[finish. **STEEL.**]



[finish. **BRASS.**]



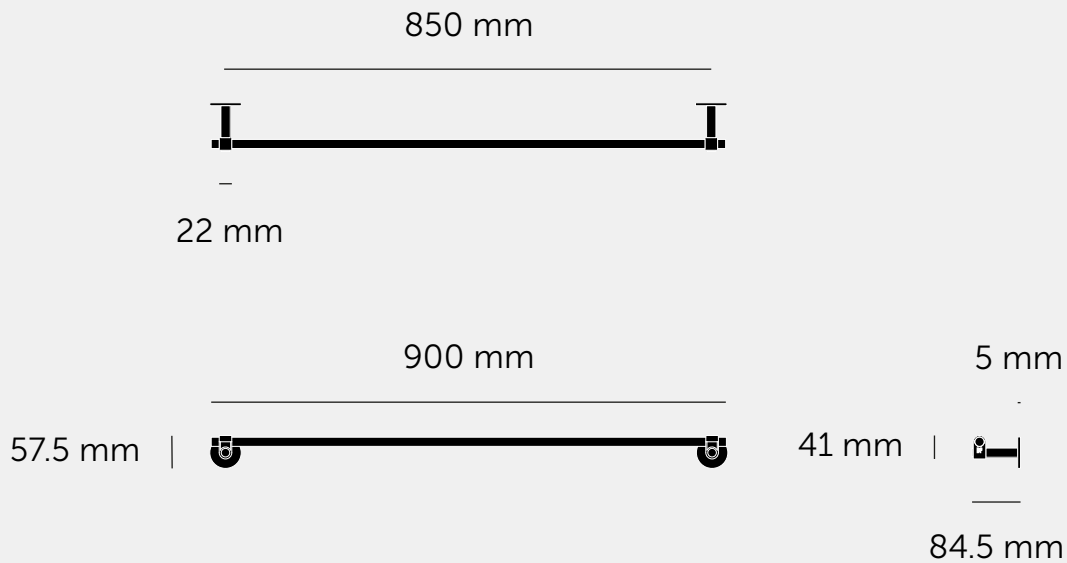
[finish. **WELDERS BLACK.**]



[finish. **GUN METAL.**]

[type. **TOWEL RAIL / LARGE.**]

[info. **MEASUREMENTS.**]






[info. **SPECIFICATIONS.**]

A towel rail made from solid metal and featuring a cast solid metal knuckle and hand polished solid metal bar.

Available in steel, brass, gun metal and welders black, with durable finishes that make it suitable for bathroom use.

Please note, this towel rail holder is front mounted and fixing screws are not supplied. You will need to source fixings suitable for the wall you are installing the towel rail holder on.

[info. **FINISH & SKU NUMBERS.**]

[finish.]	[sku.]
 Steel	UTR-072149
 Brass	UTR-052150
 Gun Metal	UTR-352151
 Welders Black	UTR-592152

[info. **CARE INSTRUCTIONS.**]

Clean regularly with a soft, dry cloth or duster. Wash periodically using a soft cloth and mild soapy water then dry immediately with a clean, soft cloth. Rubbing or wiping should be carried out in the direction of the polish lines, not across them. DO NOT use oily rags or greasy cloths when wiping the product surface. All finishes prone to ageing.

[info. **INCLUDED.**]

1 x Large towel rail

[info. **RECOMMENDED.**]

For Installation:

- 8 x M4 countersunk screws
- M4 wall plugs
- Hammer action drill with masonry bit (for masonry walls)
- Impact driver with drill bit (for stud walls)

For heavier loads it is recommended that longer screws & wall plugs are used

[please. **NOTE.**]

DISCLAIMER: Always consult a trade professional when installing this towel rail. Buster + Punch is not responsible for the usage or feasibility of installation requirements.