

BUSTER+PUNCH

LONDON

[product.

STRIKE PLATE

[to fit. **2" DOOR FRAME.**]

[type. **T-SHAPE.**]

[range. **DOOR HARDWARE.**]

A solid metal strike plate designed to complement Buster + Punch door hardware and latch accessories, for a consistent feel everytime you open the door. Works great on all internal doors. Strike plates and face plates are available in four finishes: steel, brass, gun metal and black.



[finish. **BRASS.**]



[finish. **GUN METAL.**]



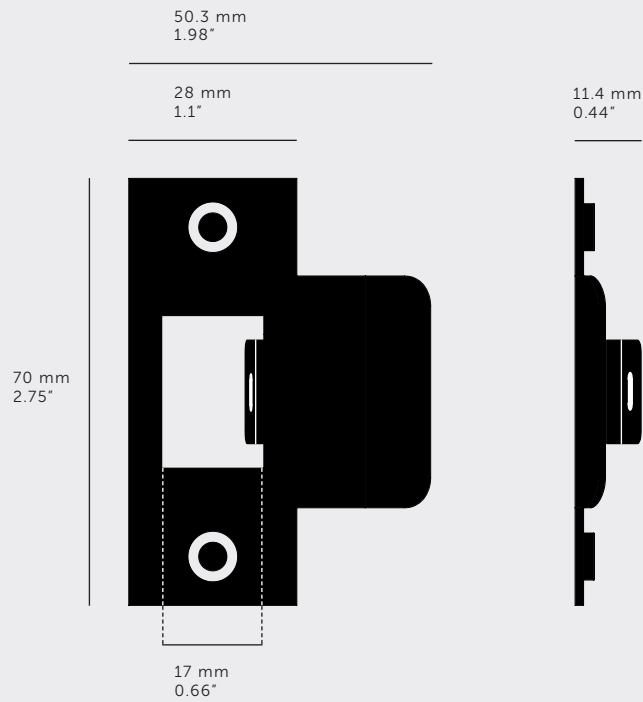
[finish. **BLACK.**]



[finish. **STEEL.**]

[to fit. **2" DOOR FRAME.**]

[info. **MEASUREMENTS.**]







[info. **SPECIFICATIONS.**]

A strike plate made from solid metal, with counter sunk screw holes. Designed to complement Buster + Punch door hardware and latch accessories. Fits 2" doors.

[info. **INCLUDED.**]

1 x 2" Strike Plate
2 x M4 x 62mm through bolts
4 x Woodscrews in matching finish

[info. **FINISH & SKU NUMBERS.**]

[finish.]	[UK.]
 Steel	UDS-071775
 Brass	UDS-051776
 Gun Metal	UDS-351780
 Black	UDS-021778

[info. **REQUIRED.**]

Phillips head screw driver
Chisel set
Power drill
+ 2mm drill bit
+ 15mm Forstner/flat wood drill bit
+ 27mm Forstner drill bit

[info. **CARE INSTRUCTIONS.**]

Wipe with damp cloth with no loose hairs, avoid using any chemicals. All finishes are prone to aging.

[please. **NOTE.**]

DISCLAIMER: Always consult a trade professional when installing these strike plates. Buster + Punch is not responsible for the usage or feasibility of installation requirements. This product is not suitable for damp or wet environments

BUSTER+PUNCH

LONDON

[product.

STRIKE PLATE

[to fit. **2.5" DOOR FRAME.**]

[type. **T-SHAPE.**]

[range. **DOOR HARDWARE.**]

A solid metal strike plate designed to complement Buster + Punch door hardware and latch accessories, for a consistent feel everytime you open the door. Works great on all internal doors. Strike plates and face plates are available in four finishes: steel, brass, gun metal and black.



[finish. **BRASS.**]



[finish. **GUN METAL.**]



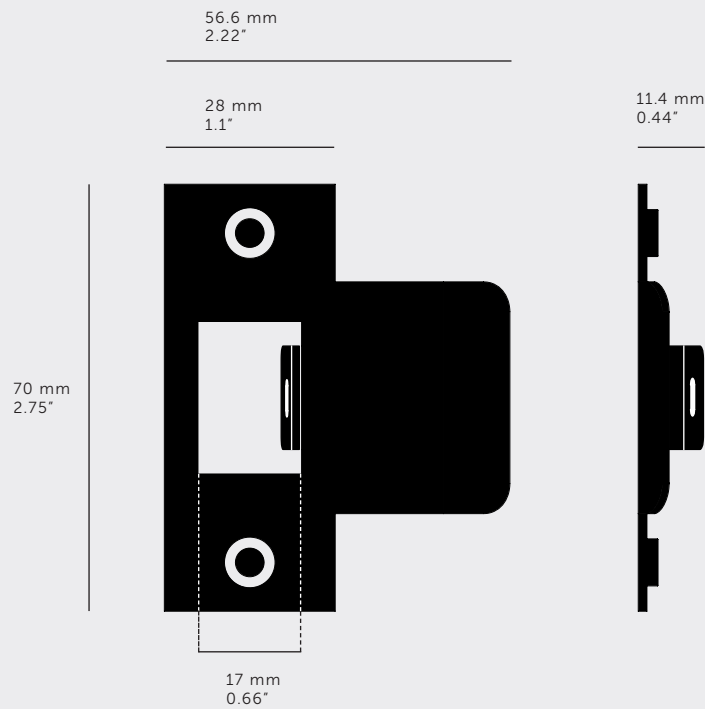
[finish. **BLACK.**]



[finish. **STEEL.**]

[to fit. **2.5" DOOR FRAME.**]

[info. **MEASUREMENTS.**]



[info. **SPECIFICATIONS.**]

A strike plate made from solid metal, with counter sunk screw holes. Designed to complement Buster + Punch door hardware and latch accessories. Fits 2.5" doors.

[info. **INCLUDED.**]

1 x 2.5" Strike Plate
2 x M4 x 62mm through bolts
4 x Woodscrews in matching finish

[info. **FINISH & SKU NUMBERS.**]

[finish.]	[UK.]
Steel	UDS- 071781
Brass	UDS-051782
Gun Metal	UDS-351786
Black	UDS-021784

[info. **REQUIRED.**]

Phillips head screw driver
Chisel set
Power drill
+ 2mm drill bit
+ 15mm Forstner/flat wood drill bit
+ 27mm Forstner drill bit

[info. **CARE INSTRUCTIONS.**]

Wipe with damp cloth with no loose hairs, avoid using any chemicals. All finishes are prone to aging.

[please. **NOTE.**]

DISCLAIMER: Always consult a trade professional when installing these strike plates. Buster + Punch is not responsible for the usage or feasibility of installation requirements. This product is not suitable for damp or wet environments

BUSTER+PUNCH

LONDON

[product.]

STRIKE PLATE

[to fit. **3" DOOR FRAME.**]

[type. **T-SHAPE.**]

[range. **DOOR HARDWARE.**]

A solid metal strike plate designed to complement Buster + Punch door hardware and latch accessories, for a consistent feel everytime you open the door. Works great on all internal doors. Strike plates and face plates are available in four finishes: steel, brass, gun metal and black.



[finish. **BRASS.**]



[finish. **GUN METAL.**]



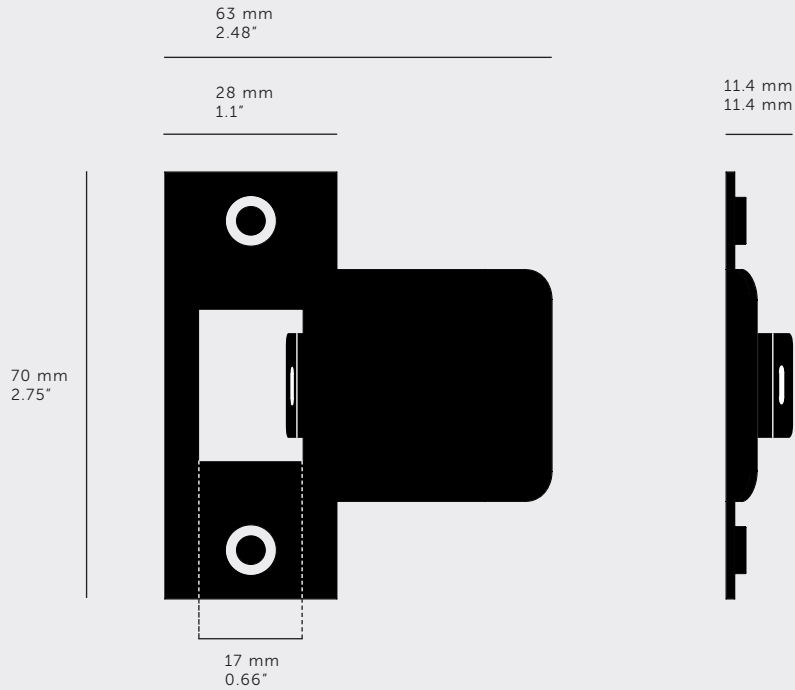
[finish. **BLACK.**]



[finish. **STEEL.**]

[to fit. **3" DOOR FRAME.**]

[info. **MEASUREMENTS.**]



[info. **SPECIFICATIONS.**]

A strike plate made from solid metal, with counter sunk screw holes. Designed to complement Buster + Punch door hardware and latch accessories. Fits 3" doors.

[info. **INCLUDED.**]

1 x 3" Strike Plate
2 x M4 x 62mm through bolts
4 x Woodscrews in matching finish

[info. **FINISH & SKU NUMBERS.**]

[finish.]	[UK.]
Steel	UDS- 071787
Brass	UDS-051788
Gun Metal	UDS-351792
Black	UDS-021790

[info. **REQUIRED.**]

Phillips head screw driver
Chisel set
Power drill
+ 2mm drill bit
+ 15mm Forstner/flat wood drill bit
+ 27mm Forstner drill bit

[info. **CARE INSTRUCTIONS.**]

Wipe with damp cloth with no loose hairs, avoid using any chemicals. All finishes are prone to aging.

[please. **NOTE.**]

DISCLAIMER: Always consult a trade professional when installing these strike plates. Buster + Punch is not responsible for the usage or feasibility of installation requirements. This product is not suitable for damp or wet environments

BUSTER+PUNCH

LONDON

[product.]

STRIKE PLATE

[to fit. **STANDARD DOOR FRAME.**]

[type. **D-SHAPE.**]

[range. **DOOR HARDWARE.**]

A solid metal strike plate designed to complement Buster + Punch door hardware and latch accessories, for a consistent feel everytime you open the door. Works great on all internal doors. Strike plates and face plates are available in four finishes: steel, brass, gun metal and black.



[finish. **BRASS.**]



[finish. **GUN METAL.**]



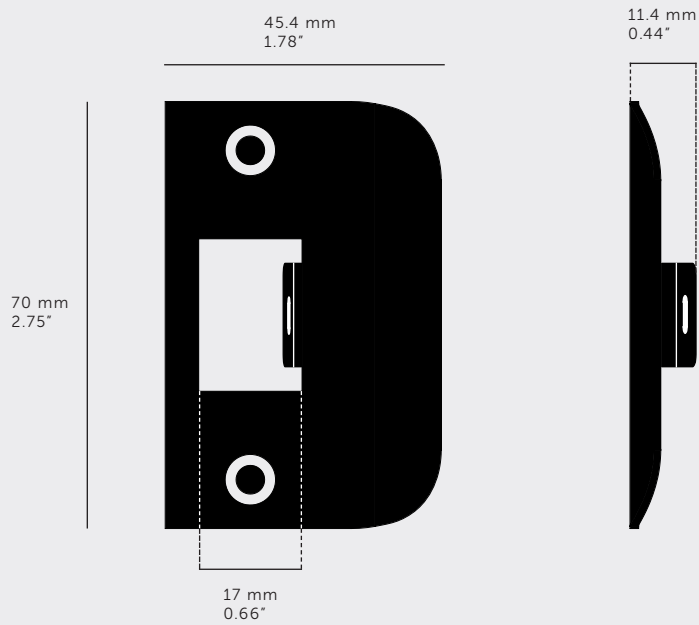
[finish. **BLACK.**]



[finish. **STEEL.**]

[to fit. **STANDARD DOOR FRAME.**]

[info. **MEASUREMENTS.**]



[info. **SPECIFICATIONS.**]

A strike plate made from solid metal, with counter sunk screw holes. Designed to complement Buster + Punch door hardware and latch accessories. Fits standard doors.

[info. **INCLUDED.**]

1x D Shape Strike Plate
2 x M4 x 62mm through bolts
4 x Woodscrews in matching finish

[info. **FINISH & SKU NUMBERS.**]

[finish.]	[UK.]
 Steel	UDS- 071793
 Brass	UDS-051794
 Gun Metal	UDS-351798
 Black	UDS-021796

[info. **REQUIRED.**]

Phillips head screw driver
Chisel set
Power drill
+ 2mm drill bit
+ 15mm Forstner/flat wood drill bit
+ 27mm Forstner drill bit

[info. **CARE INSTRUCTIONS.**]

Wipe with damp cloth with no loose hairs, avoid using any chemicals. All finishes are prone to aging.

[please. **NOTE.**]

DISCLAIMER: Always consult a trade professional when installing these strike plates. Buster + Punch is not responsible for the usage or feasibility of installation requirements. This product is not suitable for damp or wet environments