

BUSTER+PUNCH

LONDON

[range.

FORKED / SPARES

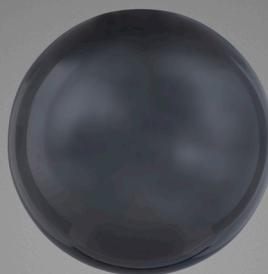
[type. **SPARES.**]

[detail. **FORKED.**]

[process. **ROUGH-CAST.**]

[region. **UK + EUROPE + AUSTRALIA.**]

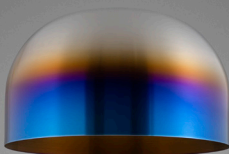
Spare parts and replacements for our Forked range of lights. Includes fittings, shades, globes and bulbs.



[finish. **GLOBE / SMOKED.**]



[finish. **GLOBES.**]



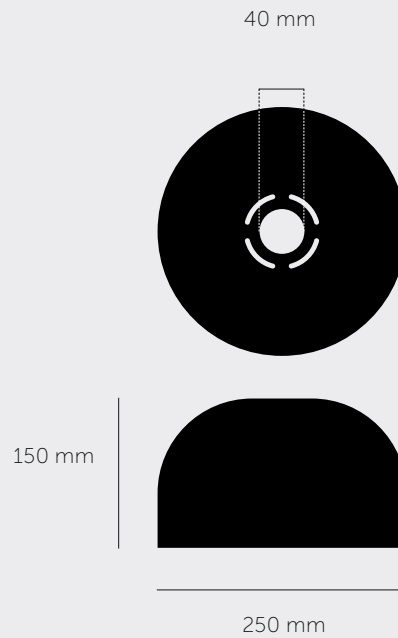
[finish. **SHADES.**]



[finish. **SHADE / BRASS.**]

[type. **SHADE / MEDIUM.**]

[info. **MEASUREMENTS.**]



[info. **SPECIFICATIONS.**]

A medium light shade made from hand-spun metal for use with our Forked ceiling or pendant light.

Available in three finishes: steel, burnt steel and brass.

[info. **FINISH & SKU NUMBERS.**]

[finish.]

[SKU.]

Steel

UFS-07733

Burnt Steel

UFS-36739

Brass

UFS-05735

[info. **CARE INSTRUCTIONS.**]

Wipe with damp cloth with no loose hairs, avoid using any chemicals. All finishes are prone to ageing.

[please. **NOTE.**]

DISCLAIMER: Always consult a trade professional when installing this shade. Buster + Punch is not responsible for the usage or feasibility of installation requirements. This product is not suitable for damp or wet environments.

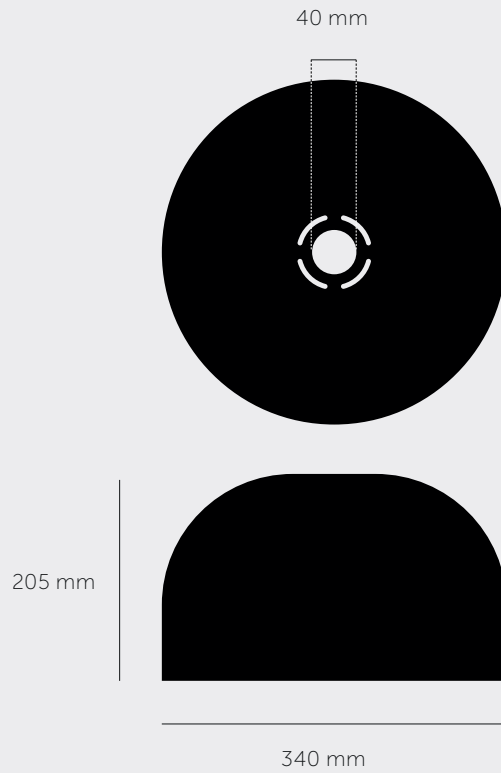
[type. **SHADE / LARGE.**]

[info. **MEASUREMENTS.**]

[info. **SPECIFICATIONS.**]

A large light shade made from hand-spun metal for use with our Forked ceiling or pendant light.

Available in three finishes: steel, burnt steel and brass.



[info. **FINISH & SKU NUMBERS.**]

[finish.]

[SKU.]

● Steel

UFS-07741

● Burnt Steel

UFS-36747

● Brass

UFS-05743

[info. **CARE INSTRUCTIONS.**]

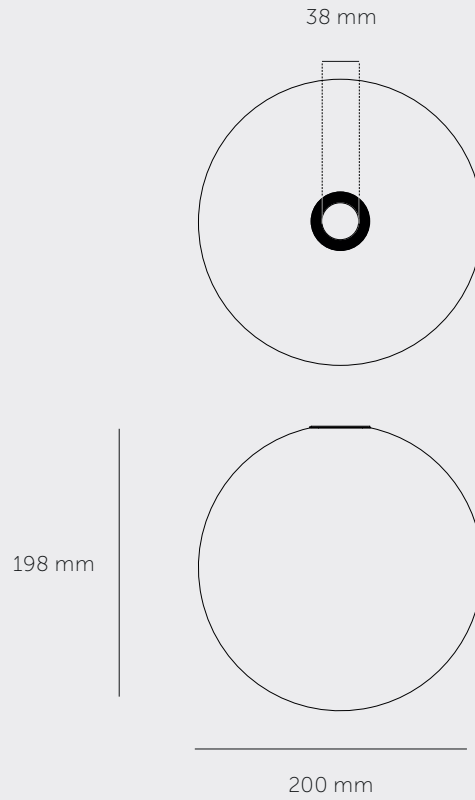
Wipe with damp cloth with no loose hairs, avoid using any chemicals. All finishes are prone to ageing.

[please. **NOTE.**]

DISCLAIMER: Always consult a trade professional when installing this shade. Buster + Punch is not responsible for the usage or feasibility of installation requirements. This product is not suitable for damp or wet environments.

[type. **GLOBE / MEDIUM.**]

[info. **MEASUREMENTS.**]



[info. **SPECIFICATIONS.**]

A medium handblown glass globe for use with our Forked Ceiling or Pendant light.

Available in opal or smoked glass.

[info. **FINISH & SKU NUMBERS.**]

[finish.]

[SKU.]

● Opal

UFG-37749

● Smoked

UFG-09751

[info. **CARE INSTRUCTIONS.**]

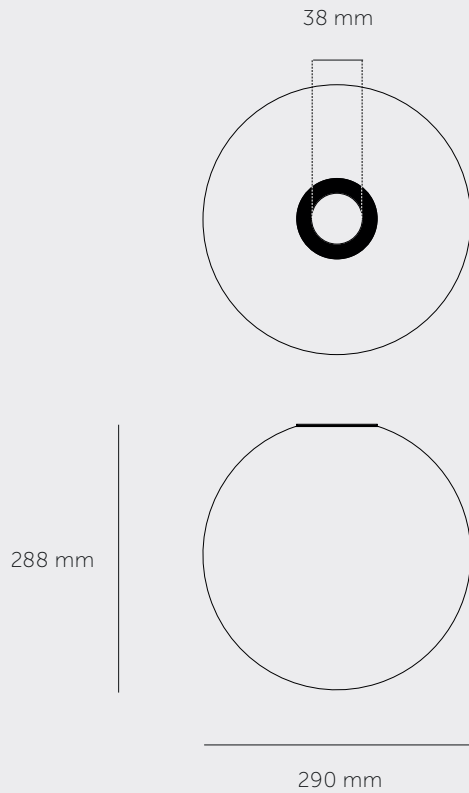
Wipe with damp cloth with no loose hairs, avoid using any chemicals. All finishes are prone to ageing.

[please. **NOTE.**]

DISCLAIMER: Always consult a trade professional when installing this globe. Buster + Punch is not responsible for the usage or feasibility of installation requirements. This product is not suitable for damp or wet environments.

[type. **GLOBE / LARGE.**]

[info. **MEASUREMENTS.**]



[info. **SPECIFICATIONS.**]

A large handblown glass globe for use with our Forked Ceiling or Pendant light.

Available in opal or smoked glass.

[info. **FINISH & SKU NUMBERS.**]

[finish.]

[SKU.]

● Opal

UFG-37762

● Smoked

UFG-09764

[info. **CARE INSTRUCTIONS.**]

Wipe with damp cloth with no loose hairs, avoid using any chemicals. All finishes are prone to ageing.

[please. **NOTE.**]

DISCLAIMER: Always consult a trade professional when installing this globe. Buster + Punch is not responsible for the usage or feasibility of installation requirements. This product is not suitable for damp or wet environments.