

BUSTER + PUNCH

## BUSTER BULB / TUBE

TECH SPEC



### BUSTER BULB / TUBE

BUSTER TUBE / TUBE is the next generation of our iconic BUSTER BULB range.

Designed as a sculptural centrepiece with an elegant extended light pipe.

This LED bulb combines a functional spotlight with a warm, crisp light reminiscent of ambient candle light. Using the latest in Buster + Punch technology, this bulb uses just 1/50th the energy of conventional light bulbs.

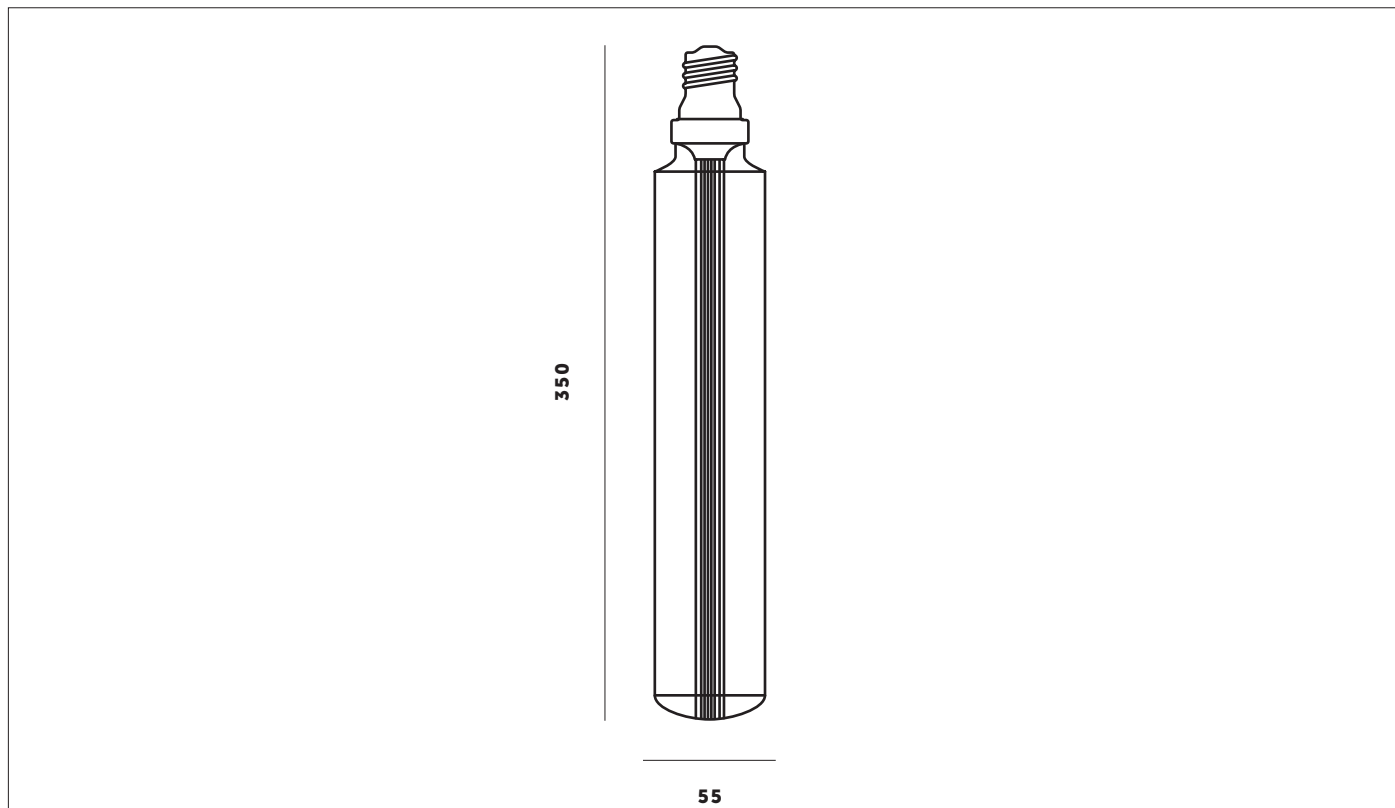
The BULB fits any E27 screw light fitting

[busterandpunch.com](http://busterandpunch.com)  
[info@busterandpunch.com](mailto:info@busterandpunch.com)



**BUSTER BULB / TUBE / DIMMABLE**

TECH SPEC



<b>FINISH</b>	<b>SKU</b>
<input type="checkbox"/> Crystal / Dimmable	<b>BB-TU28-E27-D-CR-B</b>
<b>SPECIFICATIONS</b>	
<b>Power:</b> 5W <b>Type:</b> Dimmable LED <b>Screw fitting:</b> E27 <b>Supply:</b> 22-240 VAC <b>Expected Life:</b> 2 years <b>Lumen:</b> max 250 <b>Light appearance:</b> 2700k (Warm White)	<b>CRI:</b> 80 <b>Power factor:</b> 0.88 <b>Recommended dimmer module:</b> Buster + Punch LED module. (Sold with our dimmer switches) <b>Please note:</b> Not suitable for DALI dimming systems. <b>CE certified.*</b> <b>For indoor use only.</b>

**CARE INSTRUCTIONS**

Wipe with damp cloth with no loose hairs, avoid using any chemicals. Please note all finishes are prone to aging.

\* Official data doc can be supplied upon request.

**PLEASE NOTE**

The dimmable LED BUSTER BULB requires a LED-compatible dimmer switch, like the Buster + Punch Premium dimmer switch. They can also be used with on/off switches.

If you are looking to use this product in conjunction with a smart or home automation system, please refer to the system manufactures guidance to check compatibility. Our bulbs are mains dimmable via phase cut/trailing edge dimming. To avoid disappointment, please ensure a compatible smart module is fitted before purchase.