

BUSTER + PUNCH

BUSTER BULB / TUBE

TECH SPEC



BUSTER BULB / TUBE

BUSTER TUBE / TUBE is the next generation of our iconic BUSTER BULB range.

Designed as a sculptural centrepiece with an elegant extended light pipe.

This LED bulb combines a functional spotlight with a warm, crisp light reminiscent of ambient candle light. Using the latest in Buster + Punch technology, this bulb uses just 1/50th the energy of conventional light bulbs.

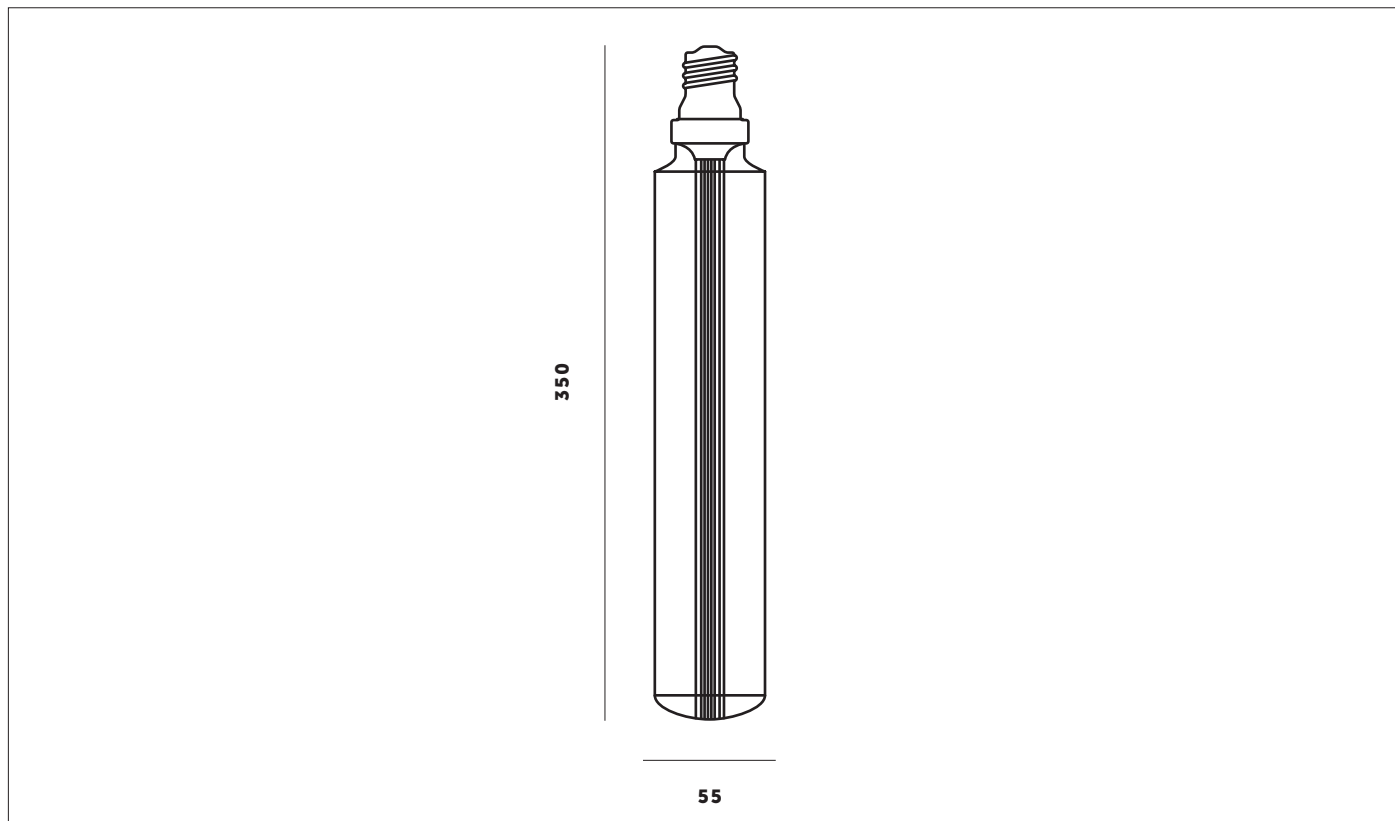
The BULB fits any E27 screw light fitting

busterandpunch.com
info@busterandpunch.com



BUSTER BULB / TUBE / NON-DIMMABLE

TECH SPEC



<p>FINISH</p>	<p>SKU</p>
<p><input type="checkbox"/> Crystal / Non-dimmable</p>	<p>BB-TU28-E27-ND-CR-B</p>
<p>SPECIFICATIONS</p>	
<p>Power: 2W Type: Non-dimmable LED Screw fitting: E27 Supply: 110-240 VAC Expected Life: 2 years Lumen: max 110 Light appearance: 2700k (Warm White)</p>	<p>CRI: 80 Power factor: 0.5 CE certified.* For indoor use only.</p>

CARE INSTRUCTIONS

Wipe with damp cloth with no loose hairs, avoid using any chemicals. Please note all finishes are prone to aging.

* Official data doc can be supplied upon request.

PLEASE NOTE

The non-dimmable LED BUSTER BULB is only compatible with on/off switches.

If you are looking to use this product in conjunction with a smart or home automation system, please refer to the system manufactures guidance to check compatibility. Our bulbs are mains operated at 240VAC. To avoid disappointment, please ensure a compatible smart module is fitted before purchase.