

**1G DIMMER / 120W
2-WAY / LINEAR /
WITHOUT LOGO**

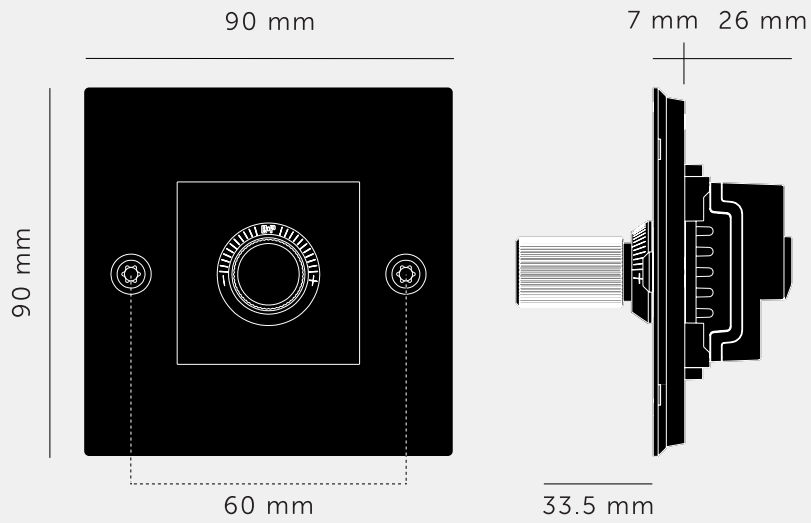
ACTION: DIMMER SWITCH

KNURL: LINEAR

RANGE: DIMMER SWITCHES

A solid metal dimmer switch with diamond-cut or our latest Linear knurling. The switch is finished with a solid metal flat plate and our signature coin/torx screws. Available in five different finishes, they can be used in combination with our matching toggle switches, sockets and USB outlets.





SPECIFICATIONS

Module Code: CDM-012405 (1 per unit)
 Style: Push ON/OFF rotary dimmer with 2 way switching
 Compatible with regular 2-3 Way switching
 Input: 250VAC 50Hz
 Dimming Type: Trailing edge dimming
 10-250W: When used with incandescent lamps
 2-100W: When used with dimmable LED lamps.
 Operating Temperature: 0 - 55 C Humidity: 10 - 90% R.H.
 Certified for use in UK, Europe and Russia: UKCA / CE / EAC
 *Not compatible with retractive switching.

INCLUDED

1 x Wall Plate 1 x Dimmer Module 1 x Detail Kit

FINISH & SKU NUMBERS

sku:	finish:	size:
CDR-024171	● black	1G
CDR-054172	● brass	1G
CDR-454173	● smoked bronze	1G
CDR-074174	● steel	1G
CDR-144175	● white	1G

PLEASE NOTE

DISCLAIMER: Always consult a trade professional when installing this product. Buster + Punch is not responsible for the usage or feasibility of installation requirements. This product is not suitable for damp or wet environments.

CARE INSTRUCTIONS

Wipe with a dry lint free cloth with no loose hairs, avoid using any chemicals. Please note that finishes may age naturally with time and regular use.