

TOILET ROLL HOLDER / CAST

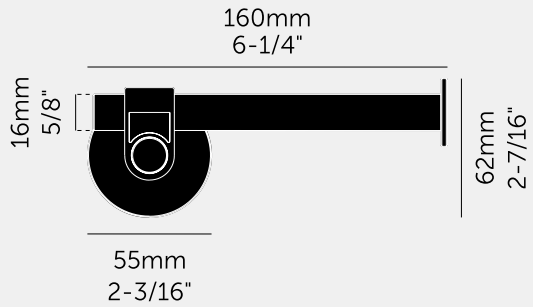
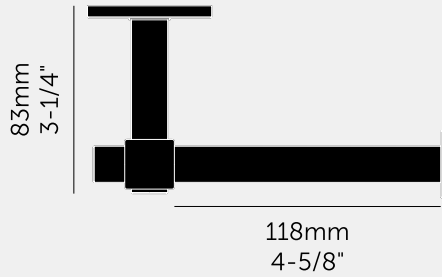
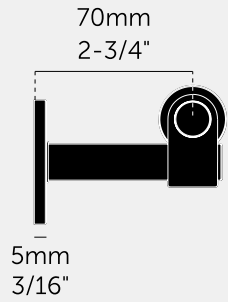
ACTION: TOILET ROLL HOLDER

KNURL: CAST

RANGE: BATHROOM

A toilet roll holder made from solid stainless steel, featuring our signature rough-cast knuckle and hand polished solid metal bar. Thanks to the casting process, no two knuckles are the same. Suitable for bathrooms.





SPECIFICATIONS

A toilet roll holder made from solid metal, featuring a cast solid metal knuckle and hand polished solid metal bar, with spun metal end cap. Made with durable finishes that make it suitable for bathroom use.

INCLUDED

1 x toilet roll holder
 1 x end cap
 1 x 53mm inner rose cover and washer
 4 x M4x20 countersunk woodscrews
 4 x 30mmx4mm wall plugs

FINISH & SKU NUMBERS

sku:	finish:	size:
UTA-054316	● steel	
UTA-484318	● welders black	

PLEASE NOTE

DISCLAIMER: Always consult a trade professional when installing this product. Buster + Punch is not responsible for the usage or feasibility of installation requirements.

CARE INSTRUCTIONS

Clean regularly with a soft, dry cloth or duster. Wash periodically using a soft cloth and mild soapy water then dry immediately with a clean, soft cloth. Rubbing or wiping should be carried out in the direction of the polish lines, not across them. DO NOT use oily rags or greasy cloths when wiping the product surface. All finishes prone to ageing.